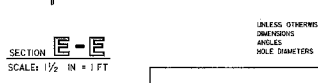
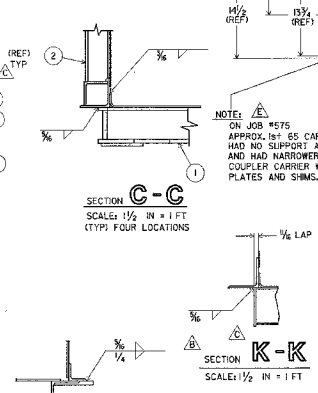
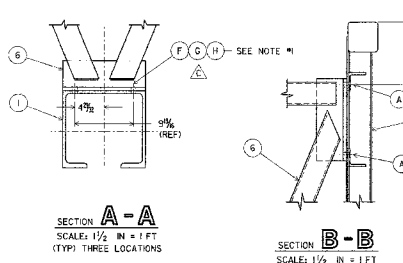
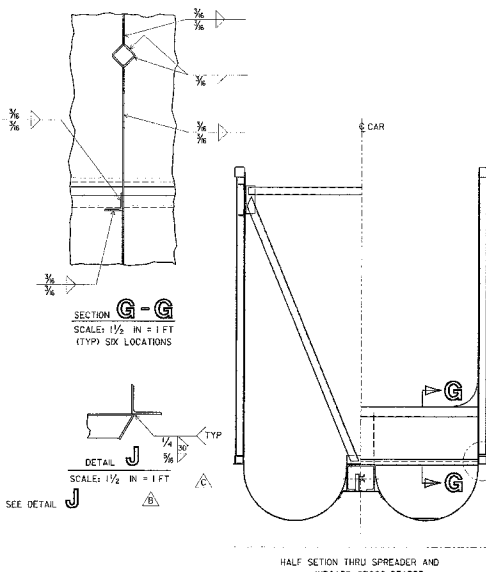
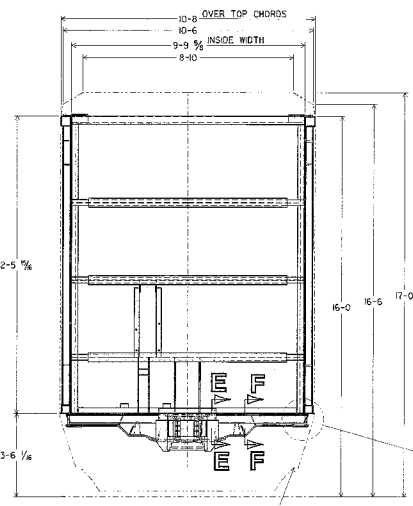
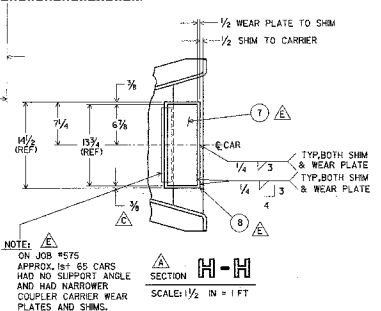
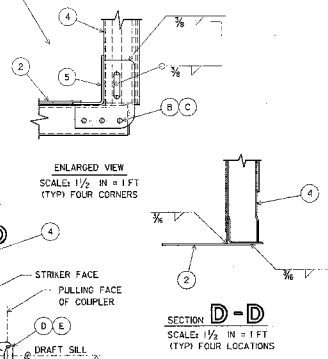


DESCRIPTION	QTY	DESIGN	DRG	ITEM
UNDERFRAME ARRANGEMENT	1	2U-001-254		1
SIDE ASSEMBLY	2	5S-001-212		2
END ASSEMBLY (A END)	1	4E-002-333		3
END ASSEMBLY (B END)	1	5E-002-340		4
CORNER CAP ASSEMBLY	4	2S-005-16		5
SIDE DIAGONAL BRACE ASSEMBLY	3	4P-014-5		6
COUPLER CARRIER WEAR PLATE	2	2U-146-27		7
COUPLER CARRIER WEAR PLATE SHIM	2	2U-175-27		8

DESCRIPTION	VENDOR PART NO.	QTY	IS/M	PART NO.	ITEM
HUCKBOLT 3/4 DIA	CSOLR-BR56-20	24		C400037	A
HUCKBOLT 1/2 DIA	30M-H-24-12	12		C400259	B
HUCKBOLT COLLAR 1/2 DIA	3/4 C-2R24	24		C400037	C
COUPLER TYPE "E/F"	EGBBE	2		U400077	D
COUPLER & YOKE PIN	"14"7	2		L800205	E
ROLL PIN DIA. 1/8 X 2 1/2 L.C.	A-325	12		C804006	F
NUT, 3/4 DIA. 1/8NC	A-563 GR. C	12		C002004	G
WASHER, 3/4 DIA. STD. FLAT REC.	A-325	12		CP04003	H



NO.	REV.	DESCRIPTION OF REVISION	DATE	REV. BY	CHK. BY
MW	1	2U-146-27 WAS 2U-146-25, 2U-175-27 WAS 2U-175-17, ADDED NOTE AND DIM.	9-28-89	TS	E
MW	2	10-0 3/8 WAS 10-0 4-11 5/8 WAS 5-0	8-17-89	JG	D
MW	3	ADDED DIMS. TO SECTIONS B-B, H-H, & K-K 1/2 DIM WAS 1/4	9-3-89	JG	C
MW	4	PICTORIALY CORRECTED DIM. CITY ITEMS A & C WAS 36	7-28-89	JG	B
MW	5	ADDED ITEM J AND SECTION K-K	7-28-89	JG	B
JG	6	CITY FOR ITEM C WAS 48	1-20-89	RJD	A
JG	7	ADDED ITEM 7, 8 & SEC H-H	1-20-89	RJD	A

**GENERAL ASSEMBLY WOODCHIP GONDOLA**

SCALE: 1/2 IN = 1 FT MATERIAL: H

DRG 075-RJD DATE: 6-30-89

CHK BY: MW DATE: 6-30-89 DRAWING NO.

ISSUED: 575 NLA: M-001 5M-002-458

UNLESS OTHERWISE NOTED DIMENSIONS ARE IN INCHES ANGLES ARE IN DEGREES HOLE DIAMETERS ARE AS SHOWN

30X **TRUSS** MANUFACTURING CO.