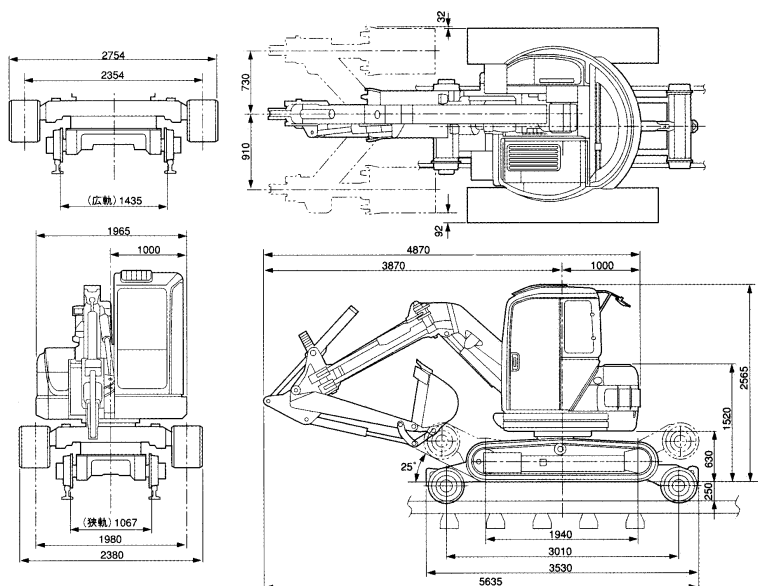
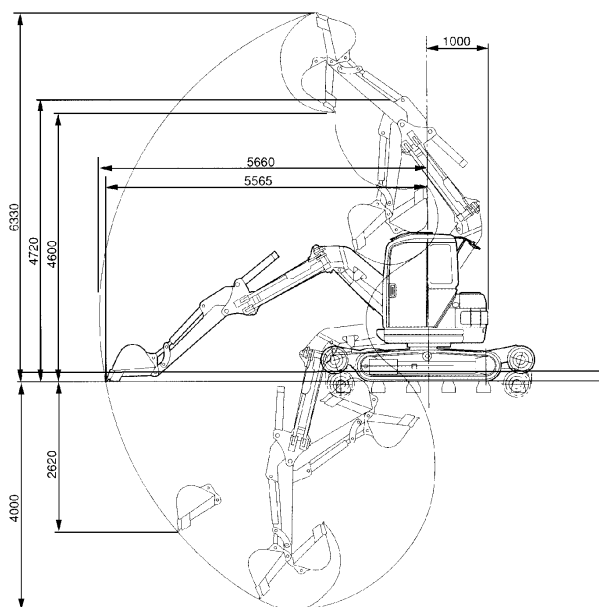


External dimension



Operating range drawing



Specification

model/manufacture		PC50UUT/KOMATSU
transporting dimensions (mm)	length	5635
	width	5754
	height	2565
weight (kg)		6800
bucket capacity (m ³)		0.2
bucket width (mm)		608
minimum swingradius (mm)		1100
loading height (mm)		1785 (from rail level)
max.digging height (mm)		3065
max.digging reach (ground level)		5565
gradeability		30
travel speed on rail (km/h)		30
fuel		diesel
driving method		wheel drive
adjustable gauge		Narrow Gauge/Middle Gauge/Standard Gauge
safety device		height limit device
emergency device		emergency engine · emergency manual pump



NIKKEN CORPORATION

SAN-NO GRAND BLDG. 2-14-2
 NAGATA-CHO, CHIYODA-KU, TOKYO, 100-0014, JAPAN
 TEL: 81-3-5512-7311 FAX: 81-3-5512-7548
 http://www.rental.co.jp e-mail:nikken@rental.co.jp

S-1283
 050620000a